

# ORC-UM-R

Multipurpose Relay

## Quick Connection Diagram

## ORC-UM-R

### Brief Description

The ORC-UM-R is a multipurpose Relay designed to work along side Orcomm external call panels, ORC-E2, ORC-E3, ORC-E5.

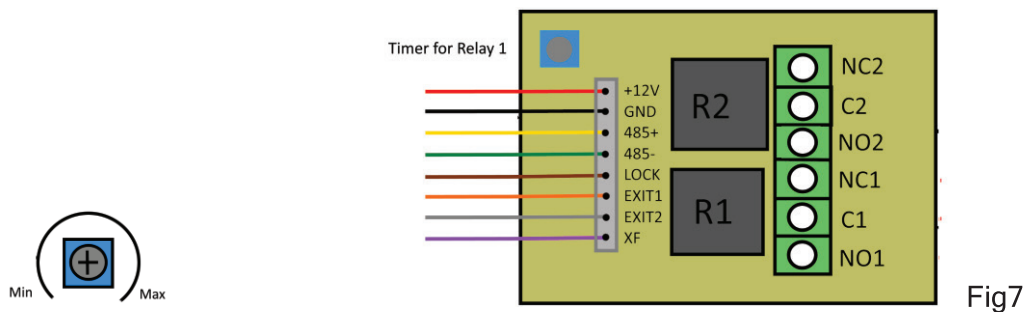
When the door release command is pressed on the intercom screen, the Door Panel will send a signal either through LOCK or RS485. Relay 1 will operate for a time. Note Timer for Relay 1 can be changed via the Potentiometer.

### Technical Characteristics

- Secure By Design (Must be wired secure side of Door - i.e. Riser cupboard)
- 12V DC (1W)
- Working Temperature: -40 ~ +70 C
- Humidity: 20 ~ 80%
- Size: 115 x 58 x 34 mm
- Relay Max
  - 1A (230V AC)
  - 5A (24V DC)
  - 10A (12V DC)

### Timer (Relay 1)

Relay 1 - Timer adjustment - Potentiometer



### Unused Wires

Warning all wires unused must be insulated to stop accidental triggering or damage to the ORC-UM-R and/or External Door Panel.

## Terminal Connections

### Standard Wiring

Connect the ORC-UM-R with 12V, GND and LOCK between Door Panel and Riser

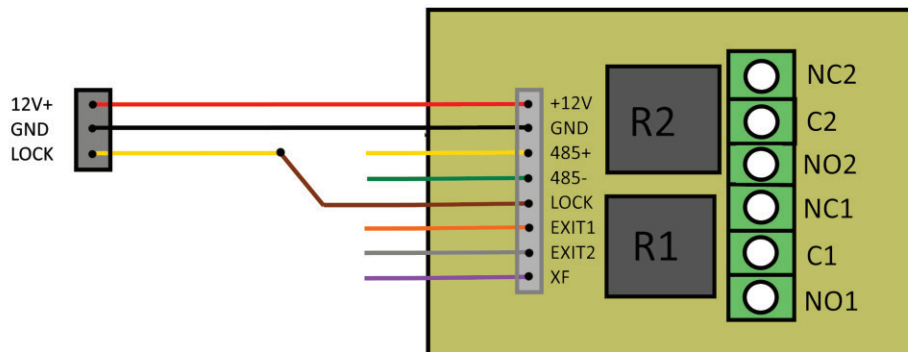


Fig 8

### RS485 Wiring

Connect the ORC-UM-R with RS485 when installation requires encryption between Door Panel and Riser (i.e. Secure By Design)

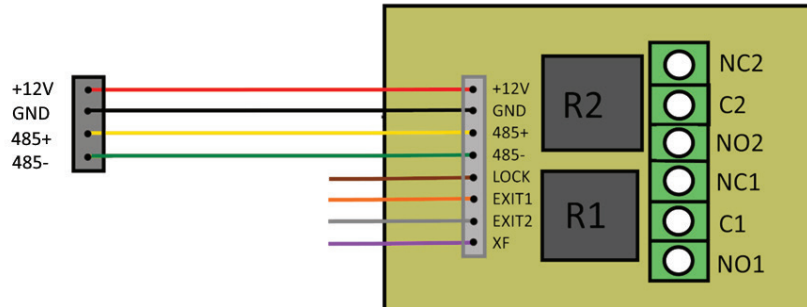


Fig 9

### Exit Wiring

Temporarily connect "Exit 1" terminal to "GND" to start Relay 1 Timer

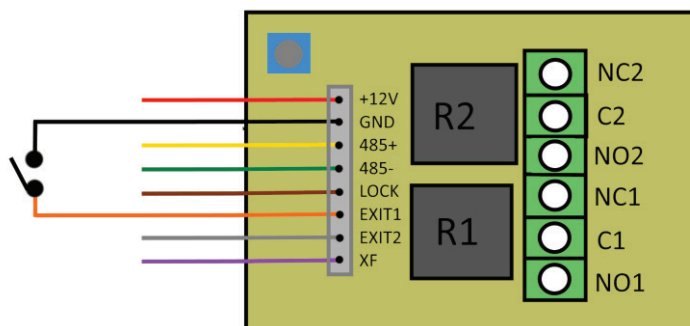


Fig 10

## Relay 1 options

There are several options to wire the relay contact terminals.

### Access Control / 3<sup>rd</sup> Party devices

The below diagram will send a short signal (close contact on trigger). Commonly used with Access Controllers (GND and PTE), or IN1 & IN2 on Automatic door / gates.

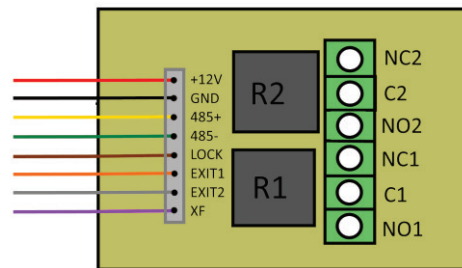


Fig 11

### Fails Safe

The below diagram will open the relay contact on trigger from Video Door Entry System. Commonly used with Fail safe locks (Remove power to open).

Note ORC-UM-R (is designed for fire applications - thus NO1 = normally closed)

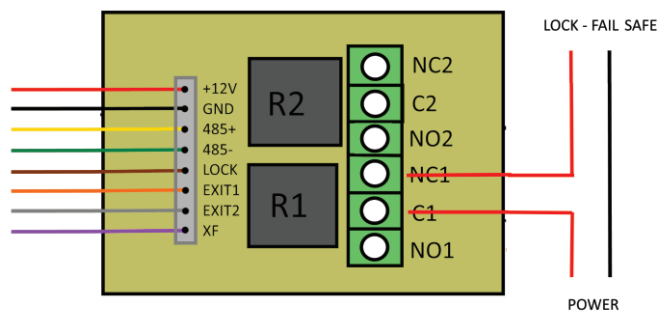


Fig 12

### Fail Secure

The below diagram will close the relay contact on trigger from Video Door Entry System. Commonly used with Fail secure locks (Power to open).

Note ORC-UM-R (is designed for fire applications - thus NO1 = normally closed)

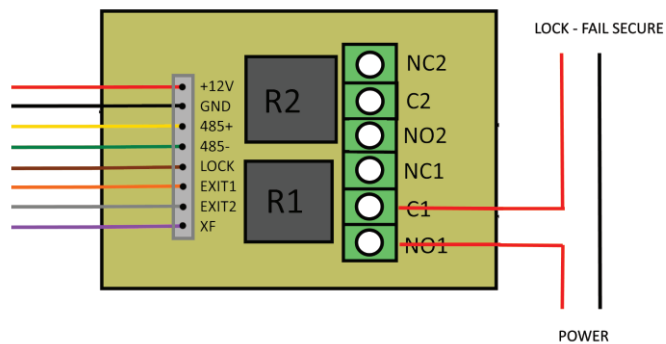


Fig 13