

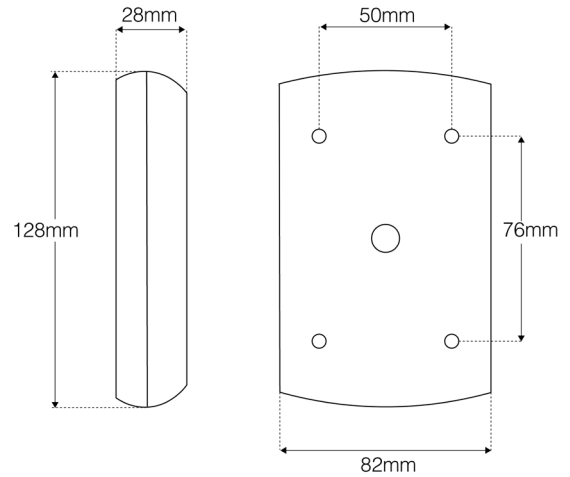
# ORC-VDK-M

ITEM NO: 12628

The Orcomm Vandal Keypad Reader is designed for both residential and commercial applications. Its robust construction allows for internal or external installation. Featuring a new wireless technology reading chipset, it offers a read range of up to 6 cm. The anti-metal influence design, utilizing HIP plastic, ensures reliable performance.



## DIMENSION



## TECHNICAL INFORMATION

Supply Voltage	DC 12V + 10%	Standby Current	<20mA
Support Card/FOB	IC	Read Range	2-6cm
Waterproof	IP65	Transmit Distance	100 Meters
Operating Temp	-20-60°C	Operating Humidity	0-95%
Dimensions	128mm x 82mm x 28mm (LxWxH)		