

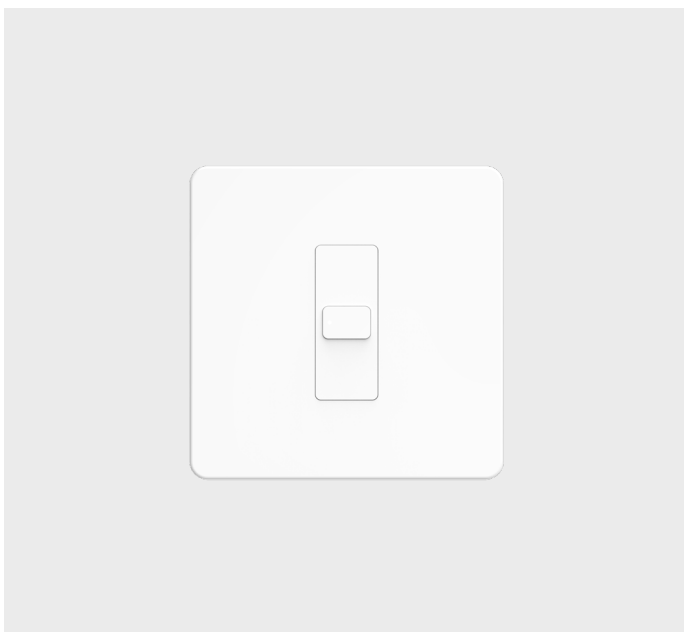
# DILX-1G-S-WH

## DIGILUX 1 GANG SMART SWITCH COMBO - WHITE

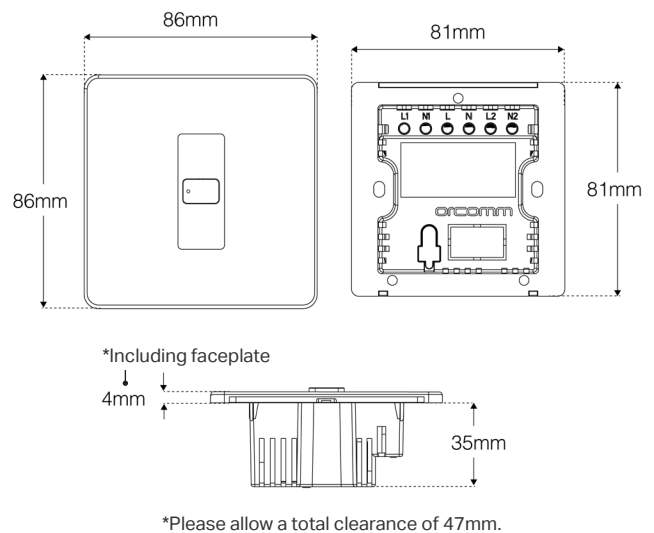
Digilux's understated elegance and slender profile seamlessly integrate into any environment, ensuring a seamless harmony with its surroundings. Featuring a modular construction, it offers unparalleled flexibility, allowing users to customise the placement of dimming and switch modules within the switch plate to suit their unique requirements.

By harnessing secure wireless communication technology, intricate cabling and specialised commissioning become obsolete, simplifying installation, and enhancing usability.

When combined with the DIGILUX GATEWAY\*, our innovative switch empowers users with comprehensive lighting control capabilities through the intuitive ORCOMM CONNECT app. Moreover, seamless integration with voice control services like Google Home and Amazon Alexa further enhances convenience and accessibility, offering users unparalleled control and convenience.



### DIMENSION



### DETAILS

Number of Gangs	1	Module	1 Switched
Material	Polycarbonate	Colour	White (RAL 9003)
Finish	Matt	IP Rating	IP20
IK Rating	IK04	Operating Temperature Range	-10°C to 40°C
Operating Humidity	20% - 85% RH	Operating Altitude	2000M
Height (mm)	86	Width (mm)	86
Depth (mm)	39	Connection Terminals	Screw (Ph2 Drive)
Terminal Capacity (1mm <sup>2</sup> solid core)	4 Cables	Terminal Capacity (1.5mm <sup>2</sup> solid core)	3 Cables

### TECHNICAL INFORMATION

Input Voltage Range	100-240Vac	Incoming Voltage Frequency	50/60Hz
Maximum Load Wattage	<150W	Minimum Load Wattage	>1W
Standby Current	20mA	Connections	N, L, L1
Smart Home Ready	Yes, via gateway	Radio Frequency	2.4GHz

# DILX-1G-S-WH

DIGILUX 1 GANG SMART SWITCH COMBO - WHITE

## NOTES

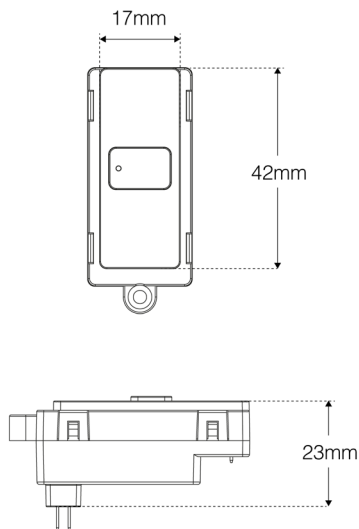
The modules are designed for flexible installation, allowing for quick and easy configuration to meet specific requirements. The order and combination of the modules can be adjusted as needed to suit the installation environment.

\*Available separately (Part number: DILX-GW)

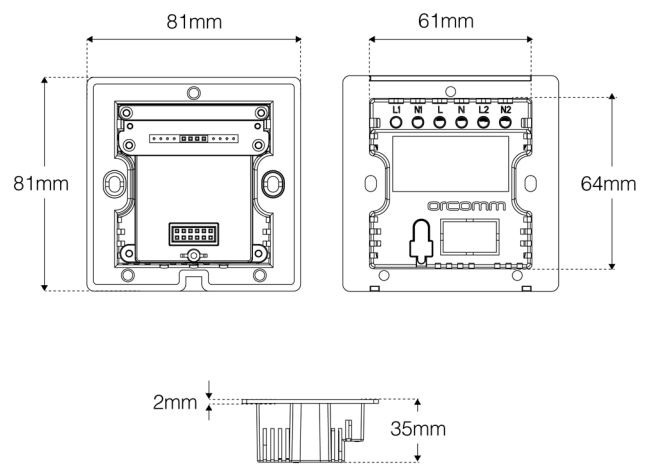
Wiring quick guide available from <https://www.orcomm.com/downloads>

## ADDITIONAL INFORMATION

### SWITCHED MODULE DIMENSION



### WALL CONTROL BOX DIMENSION



\*Please allow a total clearance of 47mm.

**PATENT GRANTED - MODULAR DESIGN: 2008381.2**