

# ORC-HAGW

Doorbell and Relay 1 on ORC-AGW

## Quick Guide

## Quick Guide – Doorbell and Relay 1 on ORC-HAGW

This document is to assist on how to connect a doorbell or other device to Relay 1 on the ORC-HAGW

### Step 1:

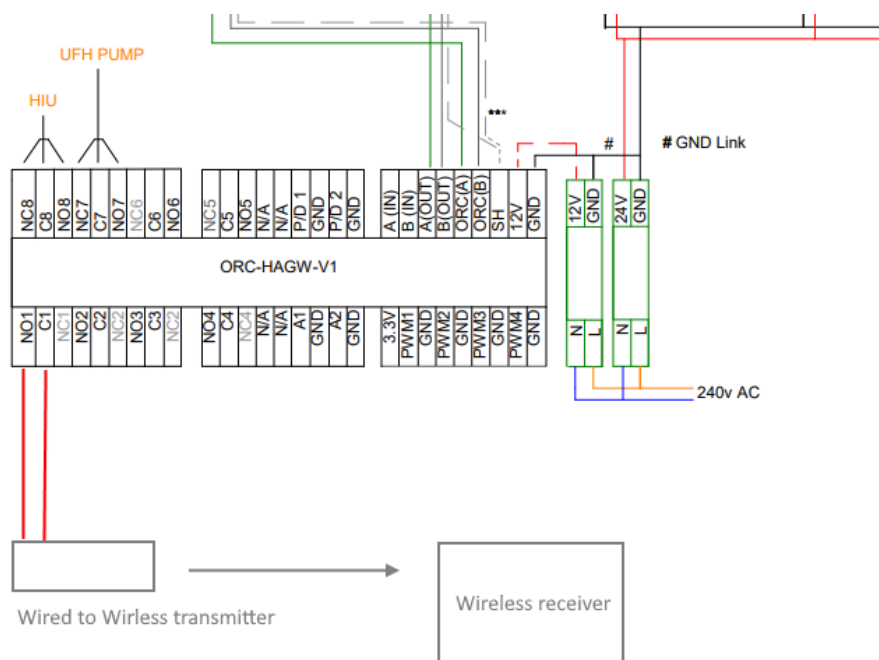
Ensure you have minimum of 3.3.0 Touch Screen Firmware.

### Step 2:

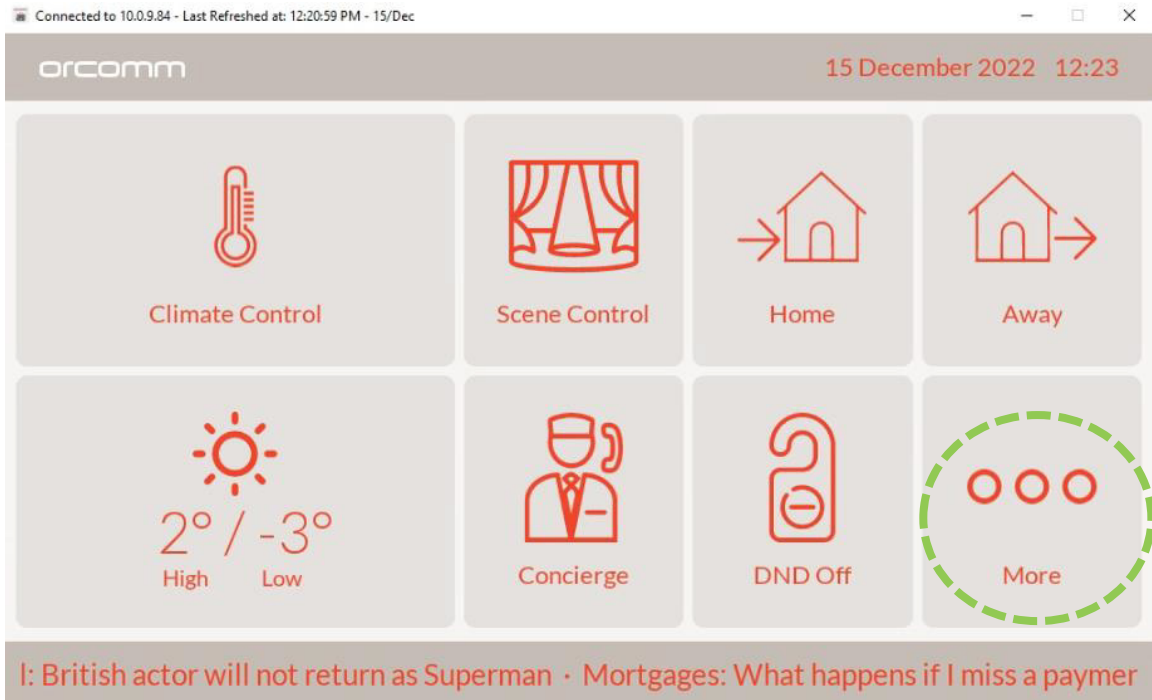
The system is using ORC-NET protocol.

### Step 3:

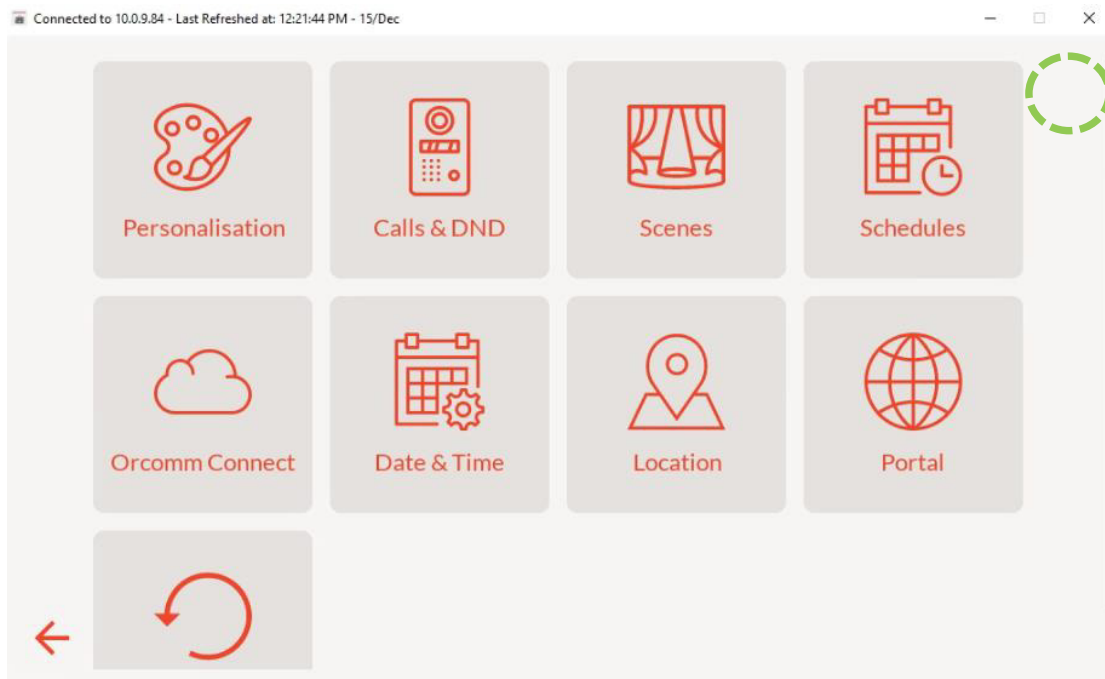
Wire the Additional Device into relay 1



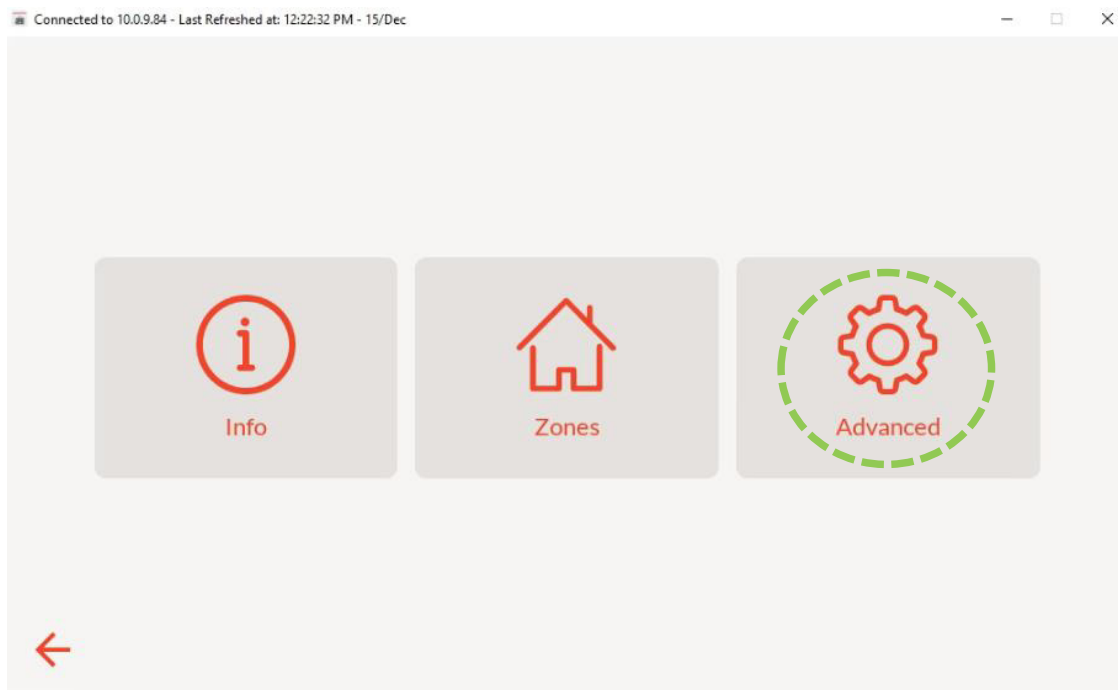
Enter into the **"More"** option



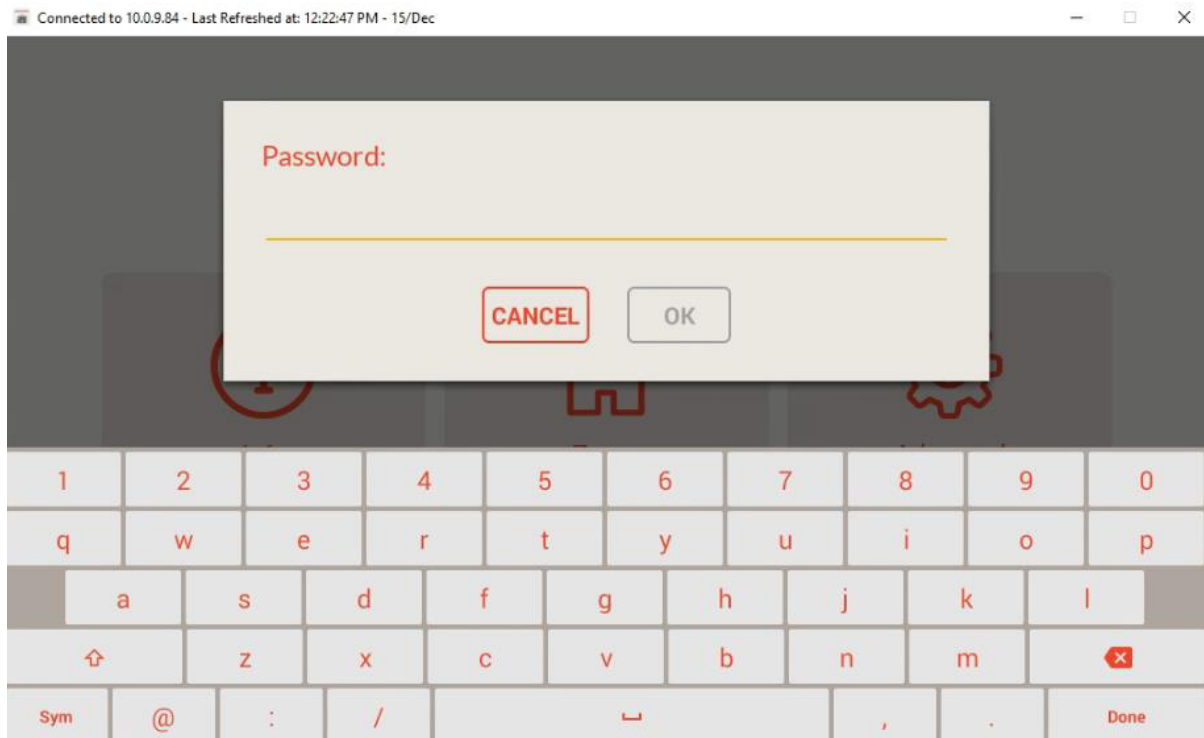
Hold and Touch the screen in Top right Corner for **Hidden Menu**



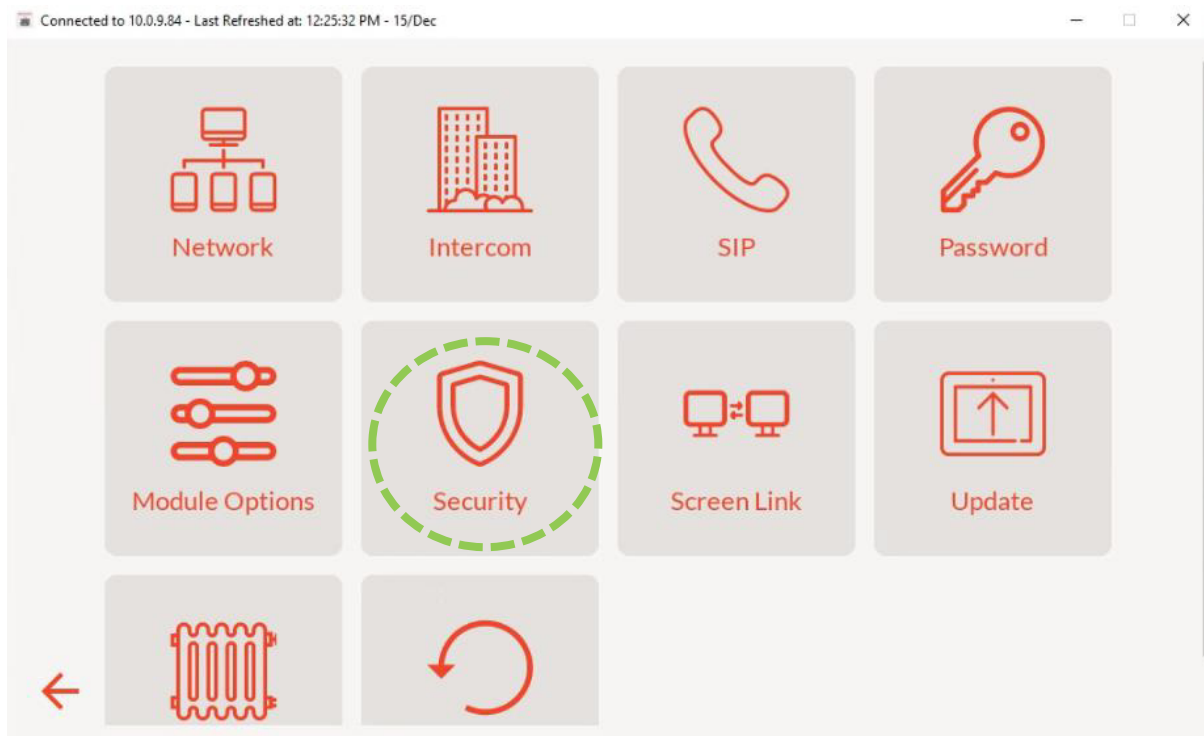
Enter into the **“Advanced”** option



Enter password "123456" then "OK"



Enter into the "Security" option



Alarm IO = 1 "Doorbell" Change from "N/A" to "1"

Connected to 10.0.9.84 - Last Refreshed at: 12:26:20 PM - 15/Dec

Alarm IO	Alarm Type	Contact Terminal	Activation Delay	Sensor Type	Description	HAGW Relay No.
1	24 Hour	Door Bell	0s	Door	Alarm	N/A
2	24 Hour	NO	60s	Smoke	Alarm	N/A
3	Disabled	NO	0s	PIR	Alarm	N/A
4	24 Hour	NO	5s	Leak	Kitchen - Sink	8
5	24 Hour	NO	5s	Leak	Ensuite 1 - Mixer Bath	8
6	24 Hour	NO	5s	Leak	Ensuite 1 - Bath	8
7	24 Hour	NO	5s	Leak	Ensuite 1 - Sink	8

← RESET

Then exit all pages back to HOME page, auto saves "←" Do not press [ NOT RESET ]

Connected to 10.0.9.84 - Last Refreshed at: 12:27:04 PM - 15/Dec

Alarm IO	Alarm Type	Contact Terminal	Activation Delay	Sensor Type	Description	HAGW Relay No.
1	24 Hour	Door Bell	0s	Door	Alarm	1
2	24 Hour	NO	60s	Smoke	Alarm	N/A
3	Disabled	NO	0s	PIR	Alarm	N/A
4	24 Hour	NO	5s	Leak	Kitchen - Sink	8
5	24 Hour	NO	5s	Leak	Ensuite 1 - Mixer Bath	8
6	24 Hour	NO	5s	Leak	Ensuite 1 - Bath	8
7	24 Hour	NO	5s	Leak	Ensuite 1 - Sink	8

← RESET